

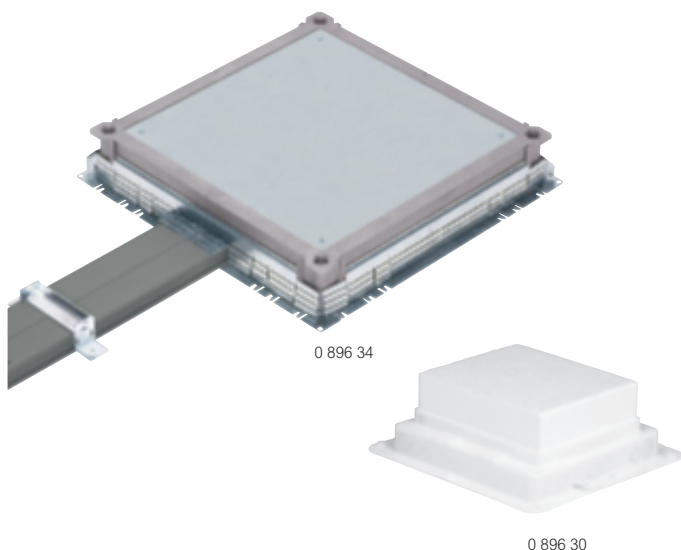
Surface-mounting floor units, floor service outlet boxes, access units



Technical characteristics [see e-catalogue](#)

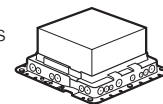
Pack	Cat.Nos	Surface-mounting floor sockets to be equipped
5	0 317 48	<p>Empty electrical wiring accessories to be equipped with Mosaic screw connection sockets Equipped with pivoting wiring supports for easy installation of sockets Can be combined with over floor trunking Cat.No 0 328 00 Can be illuminated with LED Cat.No 0 899 06</p> <p>2 x 4 modules 3 x 4 modules LED to be wired, 230 V High luminescence orange neon</p>
5	0 317 49	
10	0 899 06	
		Floor service outlet boxes - 3 modules
		<p>Access units for raised or concrete floor (minimum height 80 mm) To be equipped with: 1 Mosaic socket outlet 2P+E 2 modules and 1 Mosaic RJ 45 - 1 module or 1 Arteor socket outlet 2P+E and 1 Arteor RJ 45 1 module Grey RAL 7031</p>
1	0 896 44	Floor service outlet box - 3 modules
1	0 896 49	Flush-mounting box for concrete for Cat.No 0 896 44
		Small aluminium access grommet
		<p>Body - cast aluminium Main jaw - injection moulded plastic Nylon 66 Inner jaws - closed cell Neoprene Recommended hole cut-out size: 127 mm diameter Will fit floor tile thickness range of 25 to 55 mm Can form the base of a cable management products such as power posts and poles Standard depth: 60 mm Access grommet IP 20 - IK 08</p>
1	0 893 07	
		Access units
		<p>Access units for raised or concrete floor (minimum height 90 mm) Supplied with stainless steel cover or cover for carpet Grey RAL 7031</p>
		Small dimensions
1	0 896 90	With cover for carpet
1	0 896 91	With stainless steel cover
		Large dimensions
1	0 896 94	With cover for carpet
1	0 896 95	With stainless steel cover

Metal and plastic backboxes for concrete floor



Technical characteristics [see e-catalogue](#)

Pack	Cat.Nos	Adjustable metal backbox for concrete floor
		Universal backbox
		<p>For junction of LV and ELV cabling and/or installation of floor boxes: - 75-105 mm adjustable height floor boxes (p. 805) - 65 mm "reduced height" floor boxes (p. 805) - heavy duty floor boxes (p. 808) Height adjustable from 56 mm to 140 mm using 4 screws located in the box corners and a tool adapting to electric drill or screwdriver Bendable side walls for joining with different sizes of floor ducts Supplied with worksite protection cover to be replaced by blanking cover plate or mounting cover plate</p>
1	0 896 34	Universal metal in-screed backbox
		Cover plates
		Thickness 3 mm
5	0 896 35	Blanking cover plates for simple junction
5	0 896 36	Adaptor plate for floor boxes 12 modules or 10 modules reduced height floor boxes
5	0 896 37	Adaptor plate for floor boxes 18 modules
5	0 896 38	Adaptor plate for floor boxes 24 modules or 16 modules reduced height floor boxes
		Auto-adjustable plastic backboxes for concrete floor
		<p>For integration of floor boxes in in-screed floor installations Power supply by flexible conduits Ø16, 20 and 25 mm Supplied with polystyrene for easy installation</p>
1	0 896 30	For 12 modules floor boxes or 10 modules reduced height floor boxes
1	0 896 31	For 18 modules floor boxes
1	0 896 32	For 24 modules floor boxes or 16 modules reduced height floor boxes
		Backboxes for shallow concrete floor and insulation boxes for raised floor
		<p>For integration of 50 mm "reduced height" floor boxes Cat.No 0 880 70 (see opposite) in raised or screed floor installations Power supply by flexible conduits Ø16, 20 and 25 mm or floor trunking 28 mm height</p>
1	0 880 73	Backbox for shallow concrete floor
1	0 880 71	Insulation box for raised floors



PVC floor duct, please consult us