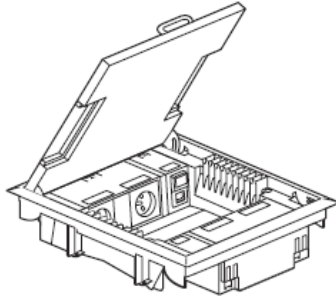


Floor boxes with height reduced to 65mm

Number(s) : 896 20/21/22/25/26/27



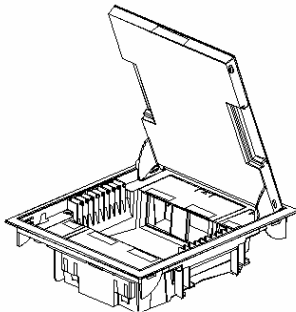
CONTENTS	PAGES
1. Range	1
2. Fixing	2
3. Technical characteristics	2 to 4
4. Material characteristics	4

1 RANGE.

Floor boxes allow :

- Energy and data supply for working stations by the ground
 - The use of various types of coatings like carpet, vinyl, parquet floor up to 10mm high.
- They also bring ideal solution for concrete floor or technical floor for renovation.

Floor boxes with height reduced to 65mm.



For technical space \geq 65mm
For renovation of technical floor (or concrete floor) with low depth

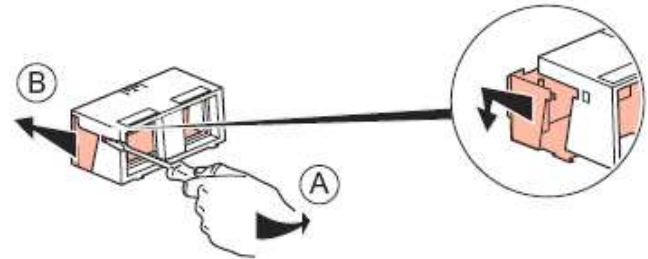
- To be equipped with 8/10 or 16 Mosaic modules wiring accessories
- Boxes are supplied with reversible stainless steel cover or parquet cover with protection shell.
- Easy opening by rings and keeping cover in open position during connection.
- Certified to NF EN 60 670-1

2 colours are available:

- grey (ref 089620/21/25/26)
- beige (ref 089622/27)

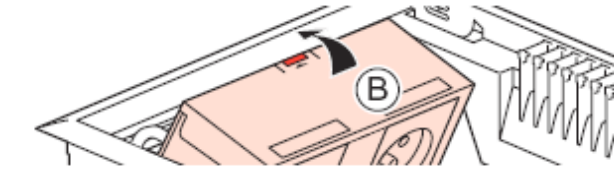
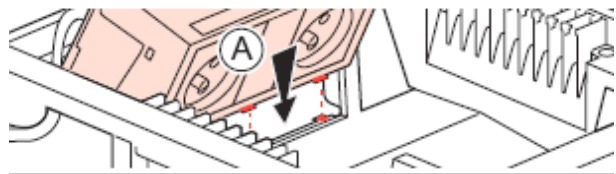
1 RANGE (continued)

Mounting boxes :



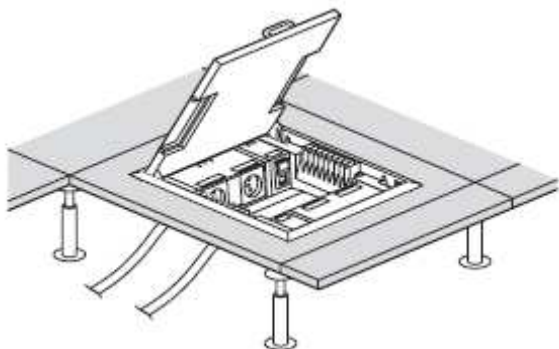
- To be equipped with 2 modules Mosaic sockets
- For vertical positioning of wiring accessories
- They are supplied with blanking plates requiring sufficient space between the sockets if angled plugs are used.
- They can take marking labels.
- They ensure perfect cable separation.

Installation of mounting boxes after wiring :

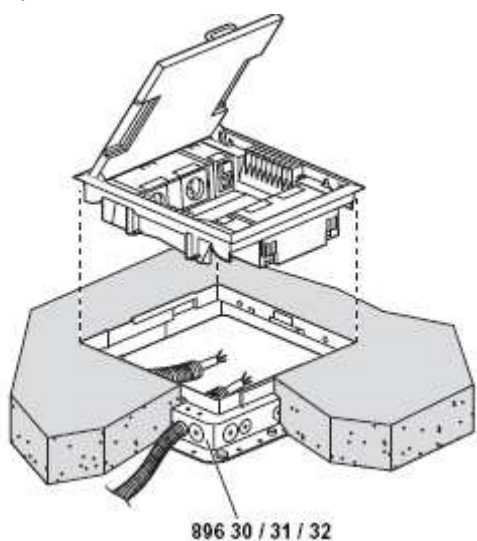


2 FIXING.

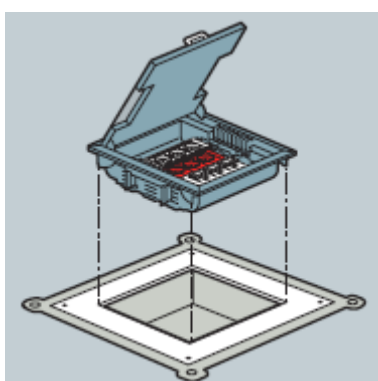
Into technical floor :



Into plastic under-floor boxes :

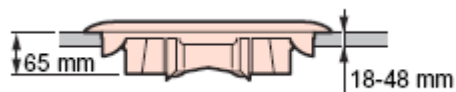


Into metal under-floor boxes number 89634 :

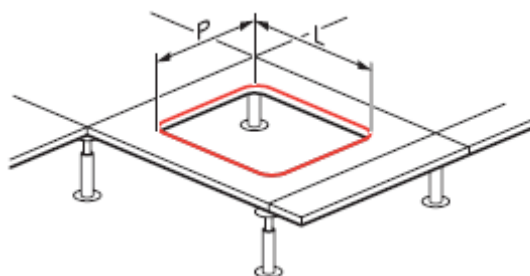


3 TECHNICAL CHARACTERISTICS

Minimum height required is 65 mm.



Dimensions of floor boxes with height reduced to 65 mm :



Technical floor is cut out according to floor boxes numbers :

	P_{0}^{+2} (mm)	L_{0}^{+2} (mm)
896 20/21/22	212	252
896 25/26/27	306	252

Wiring accessories supports can hold :

2 modules Mosaic sockets :

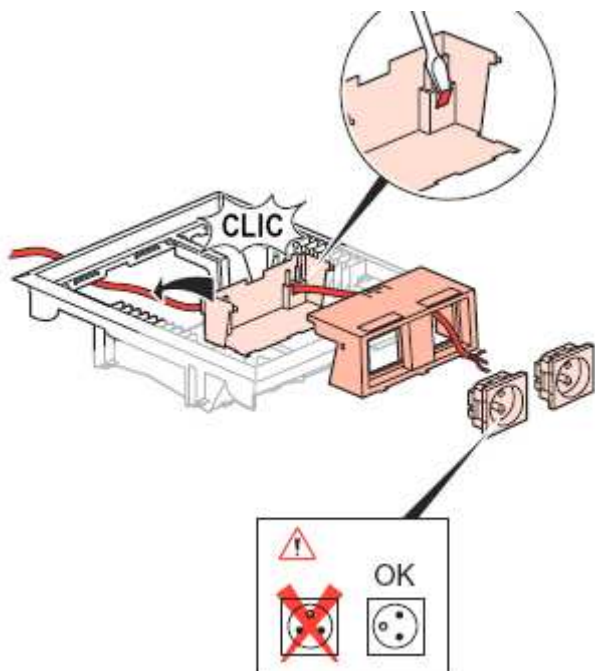


RJ 45 sockets in 1 or 2 modules or pluggable RJ 45 sockets



3 TECHNICAL CHARACTERISTICS (continued)

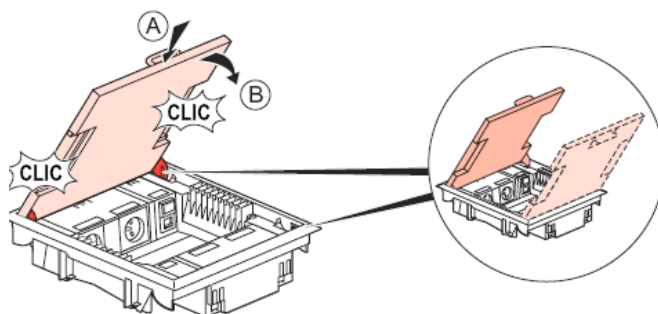
Greenhouse-cable function of supports is only used with cables :



Be careful when positioning sockets in their supports.
(earth electrode on top = side outlet plugs can't be used)

Cover positioning :

Reversible cover can be fastened on each side of the box.



Dimensions of covers :

Cover 16 Mosaic modules = 298mmx243mm

Cover 8/10 Mosaic modules = 203mmx243mm

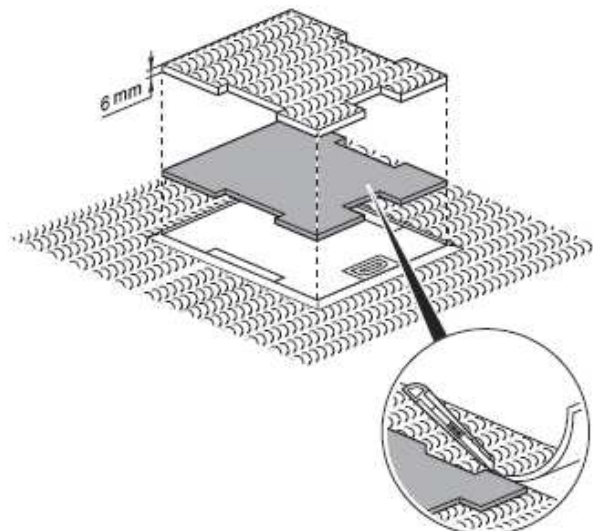
All covers (stainless steel cover or parquet cover) are equipped with a metal plate allowing the rigidity of this one.

3 TECHNICAL CHARACTERISTICS (continued)

Installation with different coatings :

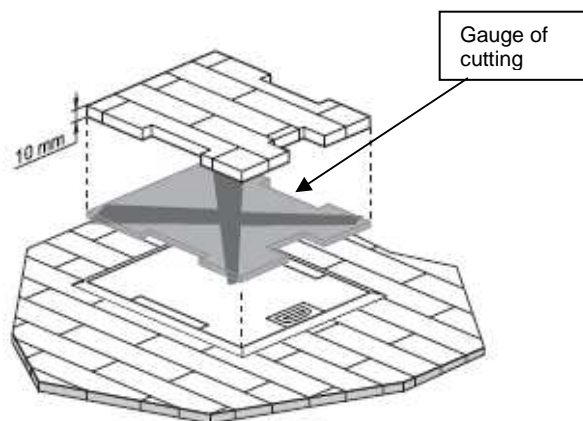
Example with carpet or vinyl :

Gauge of cutting can be used and put under final coating if thickness is lower than 6mm.



Example with parquet floor :

Gauge of cutting isn't used if thickness of final coating is lower than 10mm.



Note: the fitting of tiling is forbidden on the cover

3 TECHNICAL CHARACTERISTICS (continued)

Standard EN 50085-2-2 concerns system for distributing currents in the floor (sunken or surface-mounted). It ensures consistent performance along the entire distribution length up to the user connection point

Classification for distribution system by floor:

		Embedded in floor	On floor
6.2	Resistance to impact for installation and application	5 J	5 J
6.3	Minimum storage and transport temperature	- 25 °C	- 25 °C
6.3	Minimum installation and application temperature	- 5 °C	- 5 °C
6.3	Maximum application temperature	+ 60 °C	+ 60 °C
6.4	Resistance to flame propagation	Non propagating	Non propagating
6.5	Electrical continuity characteristics	Without continuity	Without continuity
6.6	Electrical insulating characteristics	Without electrical insulating characteristic	Without electrical insulating characteristic
6.7	Degree of protection provided by enclosure	IP30	IP20
6.9	System access cover retention	With a tool	With a tool
6.101	Floor treatment	Dry floor treatment	Dry floor treatment
6.102	Resistance to a vertical load applied over a small surface area	750 N	750 N
6.103	Optional classification according to resistance to a vertical load applied over a large surface area	3000 N	3000 N

Composition and function with distribution systems embedded in floor:

Floor service outlet boxes and access units and heavy duty boxes	With metal flush-mounting boxes		
	Metal boxes	Plastic trunking	Fixing
896 05 896 06 896 07 896 20 896 21 896 90 896 91	896 34 +	see (1)	see (2)
896 10 896 11 896 12	896 36		
896 15 896 16 896 17 896 25 896 26 896 94 896 95	896 34 +		

Width (mm)	100		150		200		250		300	
Height (mm)	28	38	28	38	28	38	28	38	28	38
Plastic trunking (1)	896 61	896 68	896 62	896 69	896 63	896 70	896 63 +	896 70 +	896 63 +	896 70 +
Fixing (2)	896 74		896 75		896 76		896 77		896 78	

Technicals informations :

Fixing test for apparatus mounting of socket outlets (60°C/81N) : Comply with norme NF EN 50085-1 2006
No degradation after 10000 opening/closing

4 MATERIAL CHARACTERISTICS

Floor boxes are made of polycarbonate (PC) with zero halogens.