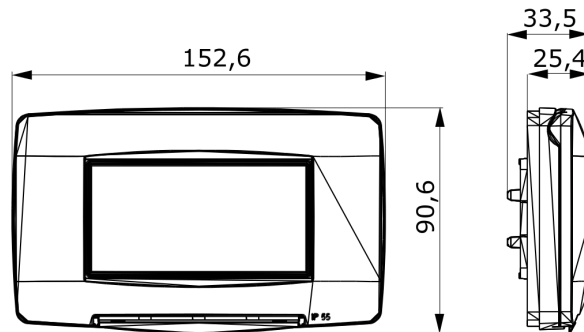




Range of plates for the Chorus wiring devices, made in a wide choice of shapes, colours, materials and finishes. It includes six different shapes (ONE, GEO, LUX, FLAT, ART and ICE) for rectangular boxes up to 12 modules and three different shapes (ONE International, GEO International and LUX International) suitable for round/square boxes, in single or multiple horizontal/vertical modularity, from 2 up to 2+2+2+2 modules. All the plates in the Chorus wiring devices use the same frame supports, without the necessity of additional adapters. The range includes also blank plates, IP55 waterproof plates and self-supporting plates for profiles and panels.

Colour	White	IP degree	IP55
Material	Technopolymer	Finishing	Glossy
Description	4 gang	Included support	GW16804
For box	Rectangular	Electrocod	0110
Glow wire test	650 °C	Thermo-pressure with ball	75 °C
Standard	EN 60669-1		

DIMENSIONAL



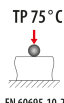
TECHNICAL SYMBOLOGY



IP55



650 °C



EN 60695-10-2

STANDARDS/APPROVALS



GEWISS S.p.A. Via A. Volta, 1
24069 Cenate Sotto - Bergamo - Italy
tel. +39 035 94 61 11 fax +39 035 94 69 09

www.gewiss.com
sat@gewiss.com
Last update 19/05/2016

Data, measures, designs and pictures are shown only as informative purposes, and could be changed without previous notice