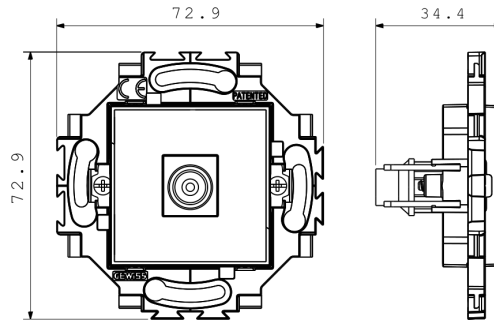


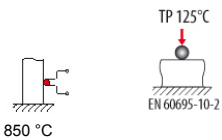
Wiring device system specific for installations in round and square boxes, characterized by an elegant appearance and classic shapes. The plates, realized in technopolymer in seven colors and in different modularities, from 2 up to 2+2+2+2+2 gang, are installable indifferently in horizontal or in vertical position. The range, developed around a core of monobloc devices, is available in two colors: white and ivory, in glossy finish. Expandable thanks to the Chorus modular devices.

Colour	White	Material	Technopolymer
Finishing	Glossy	Fixing	With clutches/Screws
Attenuation	0 dB	Description	Direct
Glow wire test	850 °C	Category	TV socket-outlet
Thermo-pressure with ball	125 °C	Standard	IEC 60169

DIMENSIONAL



TECHNICAL SYMBOLOGY



STANDARDS/APPROVALS



GEWISS S.p.A. Via A. Volta, 1
24069 Cenate Sotto - Bergamo - Italy
tel. +39 035 94 61 11 fax +39 035 94 69 09

www.gewiss.com
sat@gewiss.com
Last update 09/06/2016

Data, measures, designs and pictures are shown only as informativ purposes, and could be changed without previous notice