

### 40 CDK - MODULAR WATERTIGHT ENCLOSURES AND DISTRIBUTION BOARDS - IP65

#### TECHNICAL CHARACTERISTICS

Standard: IEC 60670-1; IEC 60670-24; EN 60670-1; EN 60670-24

Degree of protection: IP65

Protection against indirect contact: double insulation - □ (+)

Installation temperature: max. +60°C; min. -25°C

Rated voltage: 400V

Rated insulation voltage: 1000V in accordance to EN 62208 (both cc and dc)

Rated current: 125A

Material: technopolymer GW PLAST, halogen-free in accordance with CEI EN 50267-2-2

Impact resistance: IK 09

Heat resistance: thermo-pressure with ball 70°C

Resistance to abnormal heat and fire: Glow wire test 650°C

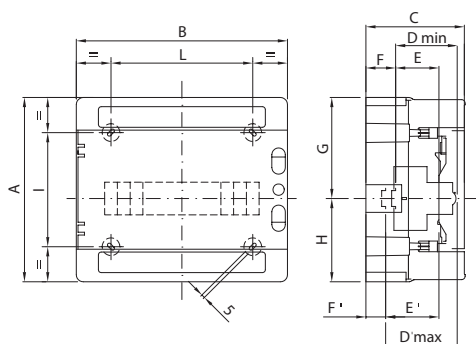
(+) Complete insulation in accordance with EN 61140 Standard, obtainable with screwcaps (GW 44 623) or resin fixing brackets (GW 44 621).

#### BEHAVIOUR WITH CHEMICAL AND ATMOSPHERIC AGENTS

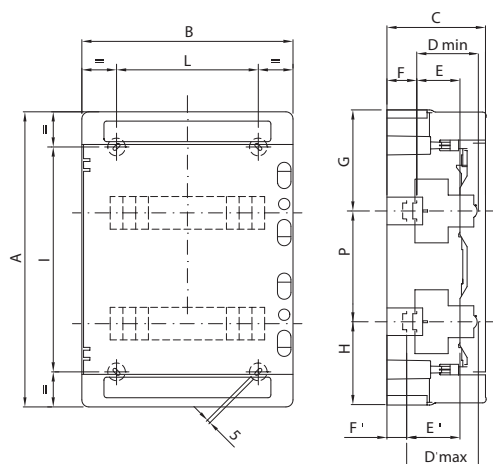
| Saline solution | Acids         |                    | Bases         |                    | Solvents           |               |               |                    | Mineral oil        | UV rays            |
|-----------------|---------------|--------------------|---------------|--------------------|--------------------|---------------|---------------|--------------------|--------------------|--------------------|
|                 | Concentrated  | Diluted            | Concentrated  | Diluted            | Hexane             | Benzol        | Acetone       | Ethyl alcohol      |                    |                    |
| Resistant       | Not resistant | Limited resistance | Not resistant | Limited resistance | Limited resistance | Not resistant | Not resistant | Limited resistance | Limited resistance | Limited resistance |

#### DIMENSION TABLES

##### ENCLOSURES AND DISTRIBUTION BOARDS



| Code                 | Overall dimensions |     |     | Modular assembly |    |    |       |       |       |    |    | Fixing |     |     |
|----------------------|--------------------|-----|-----|------------------|----|----|-------|-------|-------|----|----|--------|-----|-----|
|                      | A                  | B   | C   | D min            | E  | F  | G     | H     | D'max | E' | F' | NR     | I   | L   |
| 4M <b>GW 40 101</b>  | 210                | 143 | 100 | 75               | 48 | 15 | 105   | 105   | -     | -  | -  | 3      | 156 | 67  |
| 8M <b>GW 40 102</b>  | 210                | 215 | 100 | 75               | 48 | 15 | 105   | 105   | -     | -  | -  | 4      | 110 | 115 |
| 12M <b>GW 40 103</b> | 260                | 298 | 140 | 75               | 48 | 48 | 117.5 | 142.5 | 102   | 75 | 21 | 4      | 161 | 200 |
| 18M <b>GW 40 106</b> | 285                | 410 | 140 | 75               | 48 | 48 | 117.5 | 142.5 | 102   | 75 | 21 | 4      | 185 | 310 |



| Code                 | Overall dimensions |     |     | Modular assembly |    |    |       |       |            |       |    | Fixing |    |     |     |
|----------------------|--------------------|-----|-----|------------------|----|----|-------|-------|------------|-------|----|--------|----|-----|-----|
|                      | A                  | B   | C   | D min            | E  | F  | G     | H     | D          | D'max | E' | F'     | NR | I   | L   |
| 24M <b>GW 40 104</b> | 420                | 298 | 140 | 75               | 48 | 48 | 147.5 | 122.5 | 150        | 102   | 75 | 21     | 4  | 320 | 200 |
| 36M <b>GW 40 105</b> | 570                | 298 | 140 | 75               | 48 | 48 | 147.5 | 122.5 | 150        | 102   | 75 | 21     | 4  | 494 | 200 |
| <b>GW 40 107</b>     | 463                | 410 | 140 | 75               | 48 | 48 | 154   | 134   | 175        | 102   | 75 | 21     | 4  | 363 | 310 |
| 54M <b>GW 40 108</b> | 655                | 410 | 140 | 75               | 48 | 48 | 162.5 | 142.5 | 175        | 102   | 75 | 21     | 6  | 293 | 319 |
| 72M <b>GW 40 109</b> | 878                | 410 | 160 | 75               | 48 | 48 | 175   | 155   | 200<br>175 | 102   | 75 | 21     | 6  | 394 | 319 |

### 40 CD - WATERTIGHT ENCLOSURES - IP55

#### TECHNICAL CHARACTERISTICS

Standard: IEC 60670-1; IEC 60670-24; EN 60670-1; EN 60670-24

Degree of protection: IP55

Protection against indirect contact: double insulation - □ (+)

Installation temperature: max. +60°C; min. -25°C

Rated voltage: 400V

Rated insulation voltage: 1000 V in accordance to EN 62208 (both cc and dc)

Rated current: 125A

Material: technopolymer GW PLAST, halogen-free in accordance with CEI EN 50267-2-2

Impact resistance: IK 09

Heat resistance: thermo-pressure with ball 70°C

Resistance to abnormal heat and fire: Glow wire test 650°C

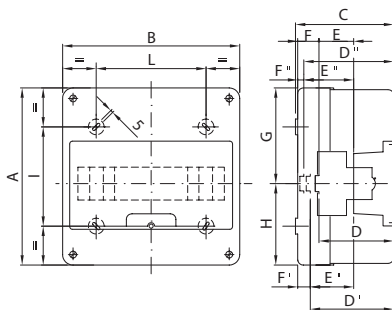
(+) Complete insulation in accordance with EN 61140 Standard, obtainable with screwcaps (GW 44 623) or resin fixing brackets (GW 44 621).

#### BEHAVIOUR WITH CHEMICAL AND ATMOSPHERIC AGENTS

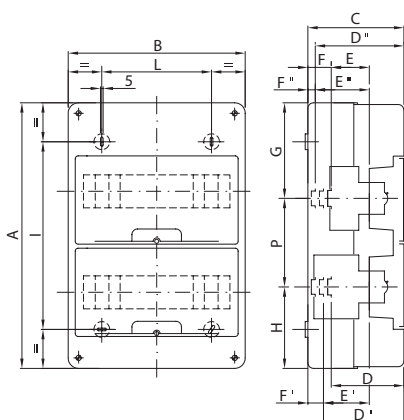
| Saline solution | Acids         |                    | Bases         |                    | Solvents           |               |               |                    | Mineral oil        | UV rays   |
|-----------------|---------------|--------------------|---------------|--------------------|--------------------|---------------|---------------|--------------------|--------------------|-----------|
|                 | Concentrated  | Diluted            | Concentrated  | Diluted            | Hexane             | Benzol        | Acetone       | Ethyl alcohol      |                    |           |
| Resistant       | Not resistant | Limited resistance | Not resistant | Limited resistance | Limited resistance | Not resistant | Not resistant | Limited resistance | Limited resistance | Resistant |

#### DIMENSION TABLES

##### ENCLOSURES



| Code                       | Overall dimensions |     |       | Modular assembly |      |      |     |     |     |    |    |       |      |      |    | Fixing |     |  |
|----------------------------|--------------------|-----|-------|------------------|------|------|-----|-----|-----|----|----|-------|------|------|----|--------|-----|--|
|                            | A                  | B   | C     | D                | E    | F    | G   | H   | D'  | E' | F' | D''   | E''  | F''  | NR | I      | L   |  |
| 4M GW 40 001               | 170                | 105 | 98    | 74               | 48.5 | 17.5 | 85  | 85  | -   | -  | -  | -     | -    | -    | 2  | 115    | -   |  |
| 8M GW 40 003               | 180                | 180 | 98    | 74               | 48.5 | 17.5 | 95  | 85  | -   | -  | -  | -     | -    | -    | 3  | 110    | 110 |  |
| 12M GW 40 004<br>GW 40 005 | 250                | 250 | 135.5 | 96               | 47   | 32   | 135 | 115 | 106 | 57 | 22 | 117.5 | 68.5 | 10.5 | 4  | 140    | 155 |  |



| Code                       | Overall dimensions |     |       | Modular assembly |    |    |     |     |     |     |    |     |       |      |      | Fixing |     |     |
|----------------------------|--------------------|-----|-------|------------------|----|----|-----|-----|-----|-----|----|-----|-------|------|------|--------|-----|-----|
|                            | A                  | B   | C     | D                | E  | F  | G   | H   | D'  | E'  | F' | D'' | E''   | F''  | NR   | I      | L   |     |
| 24M GW 40 006<br>GW 40 007 | 375                | 250 | 135.5 | 96               | 47 | 32 | 135 | 115 | 125 | 106 | 57 | 22  | 117.5 | 68.5 | 10.5 | 4      | 265 | 155 |
| 36M GW 40 008<br>GW 40 009 | 400                | 376 | 135.5 | 96               | 47 | 32 | 135 | 115 | 150 | 106 | 57 | 22  | 117.5 | 68.5 | 10.5 | 4      | 320 | 295 |

### 40 CD - PROTECTED DECORATIVE ENCLOSURES - IP40

#### TECHNICAL CHARACTERISTICS

Standard: IEC 60670-1; IEC 60670-24; EN 60670-1; EN 60670-24

Degree of protection: IP40

Protection against indirect contact: double insulation - □ (•)

Installation temperature: max. +60°C; min. -25°C

Rated voltage: 400V

Rated insulation voltage: 750V

Rated current: 125A

Material: technopolymer GW PLAST, halogen-free in accordance with CEI EN 50267-2-2

Impact resistance: IK 08

Heat resistance: thermo-pressure with ball 70°C

Resistance to abnormal heat and fire: Glow wire test 650°C

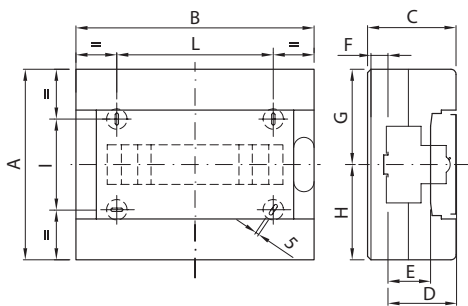
(•) Complete insulation in accordance with EN 61140 Standard, obtainable with screwcaps (GW 44 623) or resin fixing brackets (GW 44 621).

#### BEHAVIOUR WITH CHEMICAL AND ATMOSPHERIC AGENTS

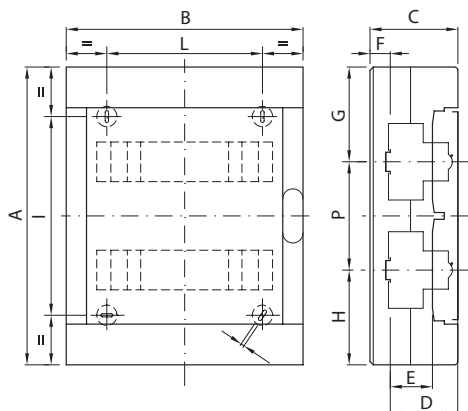
| Saline solution | Acids         |                    | Bases         |                    | Solvents           |               |               |                    | Mineral oil        | UV rays            |
|-----------------|---------------|--------------------|---------------|--------------------|--------------------|---------------|---------------|--------------------|--------------------|--------------------|
|                 | Concentrated  | Diluted            | Concentrated  | Diluted            | Hexane             | Benzol        | Acetone       | Ethyl alcohol      |                    |                    |
| Resistant       | Not resistant | Limited resistance | Not resistant | Limited resistance | Limited resistance | Not resistant | Not resistant | Limited resistance | Limited resistance | Limited resistance |

#### DIMENSION TABLES

##### ENCLOSURES



| Code                       | Overall dimensions |     |     | Modular assembly |    |      |       |       | Fixing |     |     |
|----------------------------|--------------------|-----|-----|------------------|----|------|-------|-------|--------|-----|-----|
|                            | A                  | B   | C   | D                | E  | F    | G     | H     | NR     | I   | L   |
| 8M GW 40 043               | 180                | 200 | 100 | 77               | 47 | 11.5 | 90    | 90    | 3      | 82  | 100 |
| 12M GW 40 044<br>GW 40 045 | 225                | 280 | 100 | 77               | 47 | 11.5 | 112.5 | 112.5 | 4      | 107 | 180 |



| Code                       | Overall dimensions |     |     | Modular assembly |    |      |       |       |            |       | Fixing |      |   |            |     |
|----------------------------|--------------------|-----|-----|------------------|----|------|-------|-------|------------|-------|--------|------|---|------------|-----|
|                            | A                  | B   | C   | D                | E  | F    | G     | H     | D'         | E'    | F'     | NR   | I | L          |     |
| 24M GW 40 046<br>GW 40 047 | 350                | 280 | 100 | 77               | 47 | 11.5 | 112.5 | 112.5 | 125        | -     | -      | -    | 4 | 232        | 180 |
| 36M GW 40 048<br>GW 40 049 | 400                | 400 | 130 | 76               | 48 | 37   | 125   | 125   | 150        | 102.5 | 74     | 10.5 | 4 | 282        | 300 |
| 54M GW 40 051              | 550                | 400 | 130 | 76               | 48 | 37   | 125   | 125   | 150        | 102.5 | 74     | 10.5 | 4 | 432        | 300 |
| 72M GW 40 053              | 850                | 400 | 150 | 76               | 48 | 57   | 187.5 | 187.5 | 150<br>175 | 102.5 | 74     | 30.5 | 6 | 303<br>303 | 300 |

### 40 CD - PROTECTED ENCLOSURES - IP40

#### TECHNICAL CHARACTERISTICS

Standard: IEC 60670-1; IEC 60670-24; EN 60670-1; EN 60670-24

Degree of protection: IP40

Protection against indirect contact: double insulation - □ (+)

Installation temperature: max. +60°C; min. -15°C

Rated voltage: 400V

Rated insulation voltage: 750V

Rated current: 125A

Material: technopolymer GW PLAST, halogen-free in accordance with CEI EN 50267-2-2

Impact resistance: IK 08

Heat resistance: thermo-pressure with ball 70°C

Resistance to abnormal heat and fire: Glow wire test 650°C

(+) Complete insulation, in accordance with EN 61140 Standard, obtainable with screwcaps (GW 44 623) or resin fixing brackets (GW 44 621).

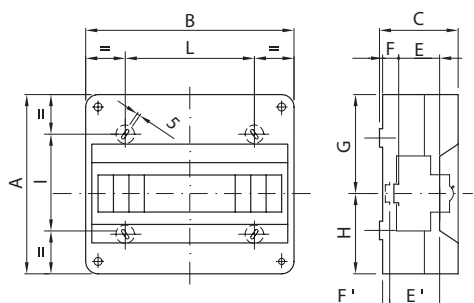
Note: to maintain the declared IP rating, install devices with a degree of protection of at least IP40 and use the relative accessories (module masks, screwcaps or wall-fixing brackets).

#### BEHAVIOUR WITH CHEMICAL AND ATMOSPHERIC AGENTS

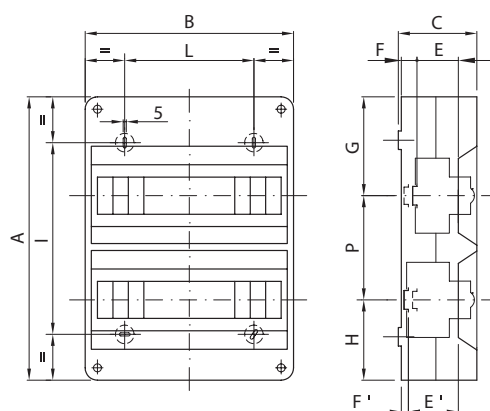
| Saline solution | Acids         |           | Bases              |                    | Solvents  |               |               |                    | Mineral oil        | UV rays            |
|-----------------|---------------|-----------|--------------------|--------------------|-----------|---------------|---------------|--------------------|--------------------|--------------------|
|                 | Concentrated  | Diluted   | Concentrated       | Diluted            | Hexane    | Benzol        | Acetone       | Ethyl alcohol      |                    |                    |
| Resistant       | Not resistant | Resistant | Limited resistance | Limited resistance | Resistant | Not resistant | Not resistant | Limited resistance | Limited resistance | Limited resistance |

#### DIMENSION TABLES

##### ENCLOSURES



| Code                       | Overall dimensions |     |    | Modular assembly |      |     |     |    |    | Fixing |     |     |
|----------------------------|--------------------|-----|----|------------------|------|-----|-----|----|----|--------|-----|-----|
|                            | A                  | B   | C  | E                | F    | G   | H   | E' | F' | NR     | I   | L   |
| 2M GW 40 022               | 130                | 45  | 85 | 48               | 14.5 | 65  | 65  | -  | -  | 2      | 80  | -   |
| 4M GW 40 023               | 130                | 90  | 85 | 48               | 14.5 | 65  | 65  | -  | -  | 2      | 90  | -   |
| 6M GW 40 024               | 155                | 140 | 85 | 48               | 14.5 | 85  | 70  | -  | -  | 3      | 90  | 74  |
| 8M GW 40 026               | 180                | 180 | 95 | 48               | 23   | 97  | 83  | 58 | 13 | 3      | 110 | 110 |
| 12M GW 40 027<br>GW 40 028 | 215                | 250 | 95 | 48               | 23   | 115 | 100 | 58 | 13 | 4      | 120 | 155 |



| Code                       | Overall dimensions |     |    | Modular assembly |    |     |     |     |    | Fixing |    |     |     |
|----------------------------|--------------------|-----|----|------------------|----|-----|-----|-----|----|--------|----|-----|-----|
|                            | A                  | B   | C  | E                | F  | G   | H   | D   | E' | F'     | NR | I   | L   |
| 2M GW 40 029<br>GW 40 030  | 340                | 250 | 95 | 48               | 23 | 115 | 100 | 125 | 58 | 13     | 4  | 230 | 155 |
| 36M GW 40 031<br>GW 40 032 | 465                | 250 | 95 | 48               | 23 | 115 | 100 | 125 | 58 | 13     | 4  | 355 | 155 |