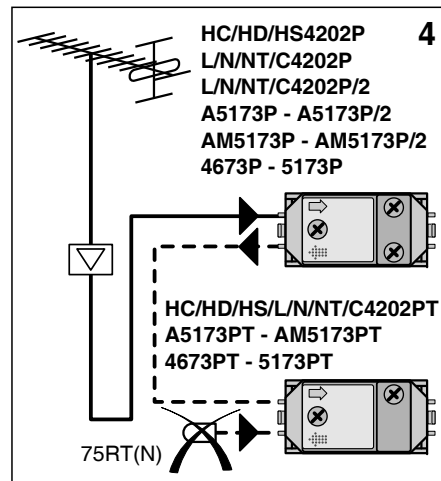
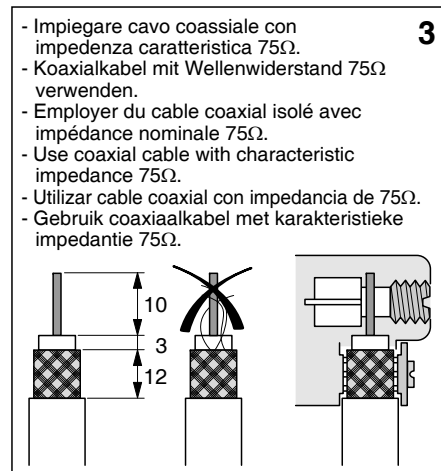
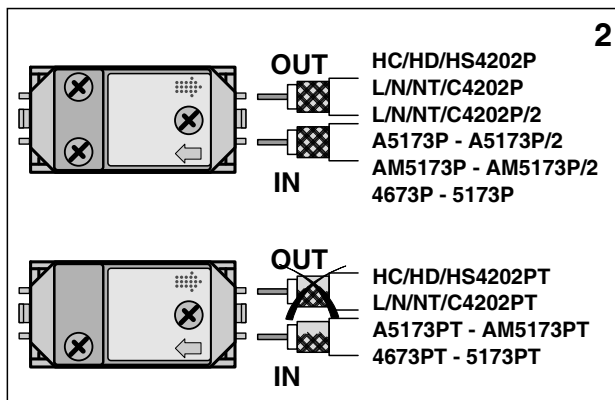
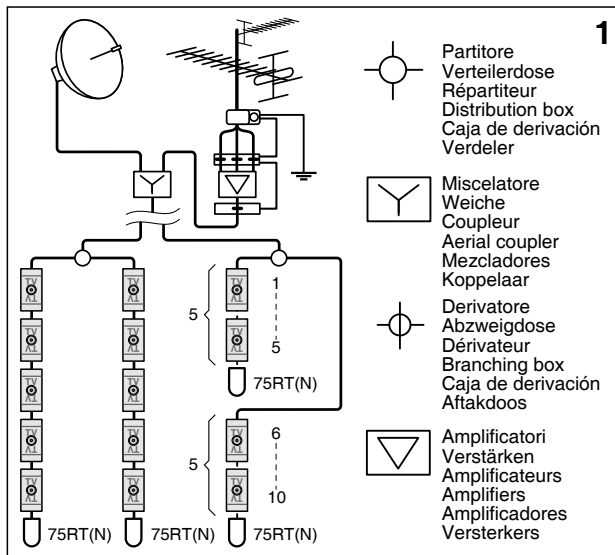


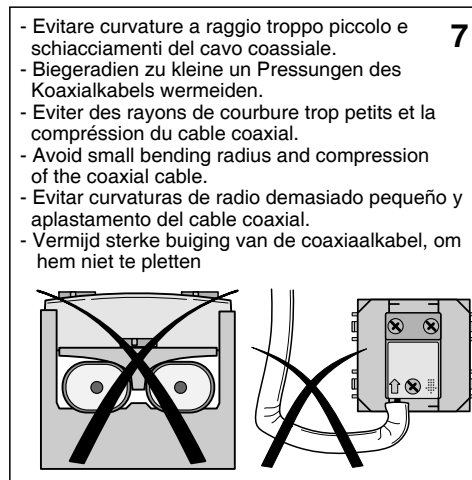
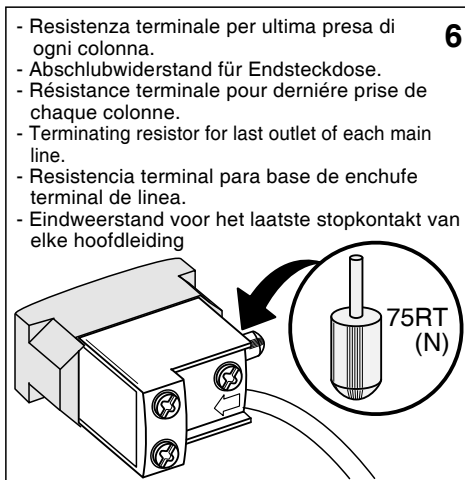
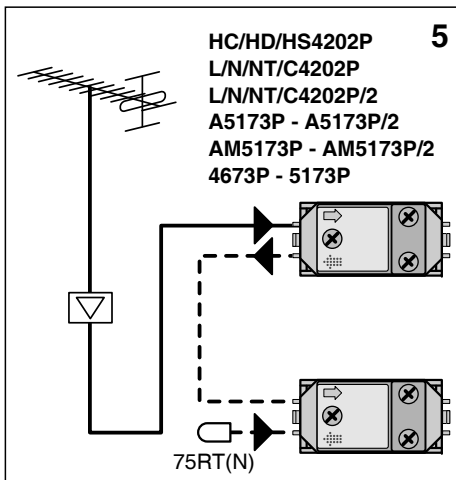
PART. E3161F

HC/HD/HS4202P  
 HCHD//HS4202PT  
 L/N/NT/C4202P  
 L/N/NT/C4202PT  
 L/N/NT/C4202P/2  
 A5173P  
 A5173PT  
 A5173P/2  
 AM5173P  
 AM5173PT  
 AM5173P/2  
 4673P  
 4673PT  
 5173P  
 5173PT

Istruzioni d'uso  
 Gebrauchsanweisungen  
 Notice d'emploi  
 Instruction sheet  
 Instrucciones de uso  
 Gebruiksaanwijzing

03/12 - 01 - SL





**Ap=** Attenuazione di passaggio  
Durchgangsdämpfung  
Atténuation de passage  
Through loss attenuation  
Atenuación de paso  
Doorgangsdemping

**Ad=** Attenuazione diretta o di derivazione  
Anschlußdämpfung  
Atténuation de dérivation  
Side loss  
Atenuación directa o de derivación  
Aftakdemping

**Zo=** Impedenza caratteristica  
Wellenwiderstand  
Impedance nominale  
Nominal impedance  
Impedancia  
Nominale impedantie

**8**

		B1	FM	VHF	UHF	SAT IF	Zo
		40-68	87,5-108	120-470	470-862	950-2250	
		MHz	MHz	MHz	MHz	MHz	Ω
HC/HD/HS/L/N/NT/C4202P L/N/NT/C4202P/2 A5173P - A5173P/2 - AM5173P AM5173P/2 - 4673P - 5173P	<b>Ad</b> (dB)			14		15,5	75
	<b>Ap</b> (dB)		<1,5				
HC/HD/HS/L/N/NT/C4202PT A5173PT - AM5173PT 4673PT - 5173PT	<b>Ad</b> (dB)			10			

Ad

Ap